

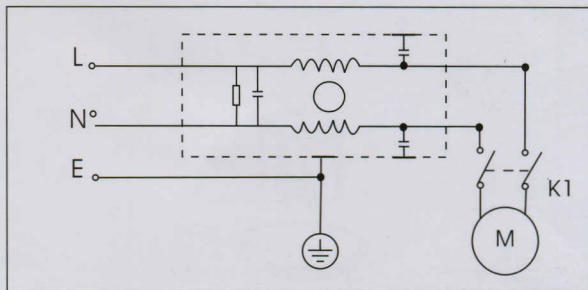
BF570、BF571A VACUUM CLEANER

Technique Parameter

type	BF570/571A
power	1000W
cooling system	recycle
vacuum	1800mmH ₂ O
capacity	15L
height	62cm
diameter	34.5cm
air flow	48L/s
accessory	∅ 36
function	wet/dry
voltage	AC 220-230V 50/60Hz
length of cable	7.2m

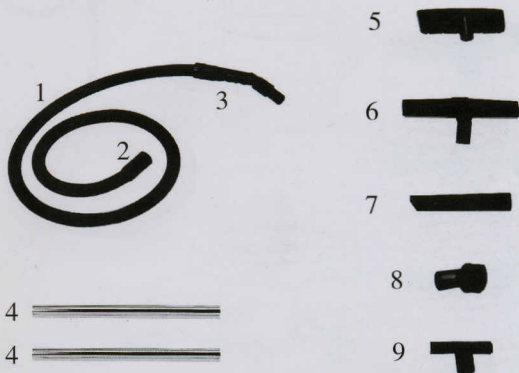


Circuit diagram

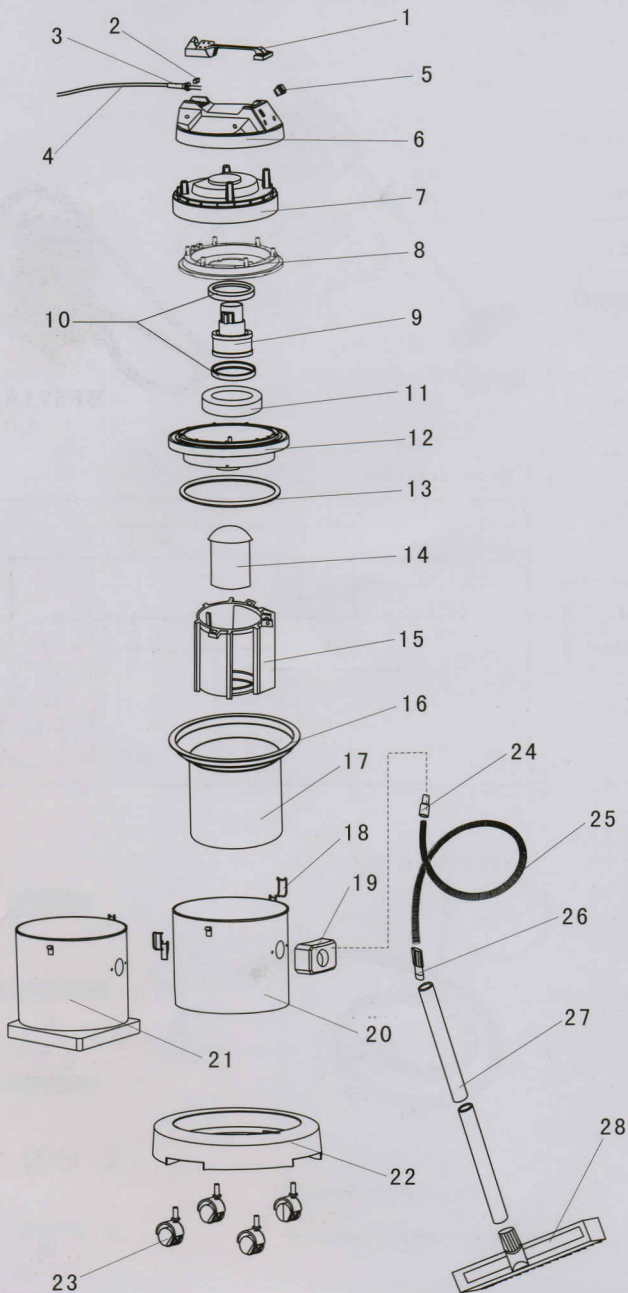


1	Suction hose
2	Short Connector
3	Long connector
4	Plastic/ metal tube
5	Dry floor nozzle
6	Wet floor nozzle
7	Crevice tool
8	Dust brush
9	Sofa nozzle

Accessories



BF570、BF571A EXPLODED VIEW



1. Plastic handle
2. Cable clamp-black
3. Cable grommet sleeve
4. Core cable
5. Pole on/off switch
6. top cover
7. Motor enclosure
8. Motor retaining mould
9. Wet/dry motor
10. Motor mounting
11. Air baffle
12. Motor mounting base
13. Rubber seal
14. Float ball
15. Float cage assembly
16. Moulded bag ring
17. Cloth filter assembly
18. Canister clip
19. Hose inlet assembly
20. Stainless steel canister
for BF570
21. Plastic canister for
BF571A
22. Plastic base
23. Castor wheel
24. Hose cuff
25. Flexible hose
26. Swivel cuff
27. Chromed metal tube
28. Floor pick up tool